



Safety Instructions

1. The luminaire must be installed by a qualified electrician and according to existing regulations.
 2. The manufacturer is not liable for damage or malfunction caused by improper handling of the luminaire.
 3. The luminaire must not be modified.
 4. Please acknowledge that light from Led is very bright, please do not look directly into the Led light.
 5. You may replace electrical accessories such as cables, lamp holders and plugs of movable appliances, and also wall sockets and switches in fixed installations, if you know how to. incorrect installation may result in fire and/or serious personal injury.
 6. **CAUTION!** turn off the power, remove the fuse from the distribution box or set the McB to the "OFF" position, before starting any installation work.
 7. Make sure that moisture does not come in contact with any live parts.
 8. Plugs and terminals must be free from tension and torsion forces.
- 9. NOTE! The light source is non-user replaceable and must only be replaced by the manufacturer, its service agent or a similar qualified person.**

Installation

Make sure that electrical wires are not damaged during installation.

Electrical safety classification: Class I  this luminaire has to be connected to earth with the green/yellow wire.

Electrical safety classification: Class II  this luminaire is double insulated and must not be connected to earth terminal.

Designation of terminals: L - live, n - neutral,  - earth.

The specified voltage (230-240V/50hz) must not be exceeded.

Symbol For Separate collection



This symbol indicates that this product is to be collected separately.

The following apply:

- This product is designated for separate collection at an appropriate collection point. Do not dispose of as household waste.
- For more information, contact the local authorities in charge of waste management.

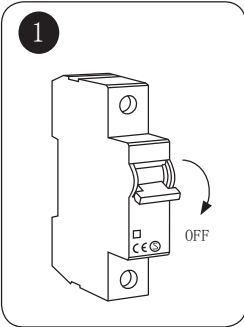
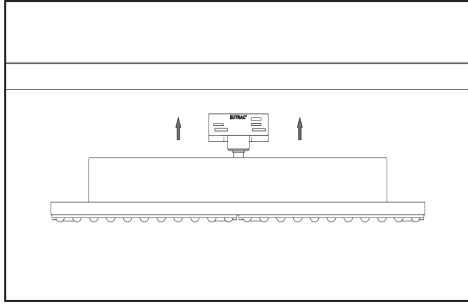
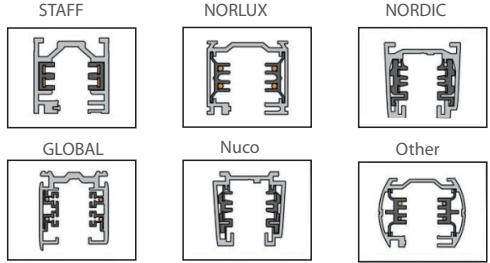
By providing these materials for recycling, you contribute substantially to protect the environment.

LED Track Light Installation Manual

PO1 Track Installation

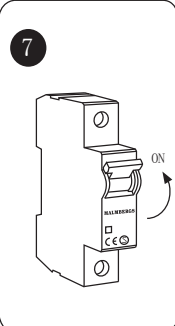
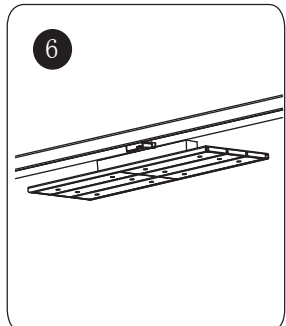
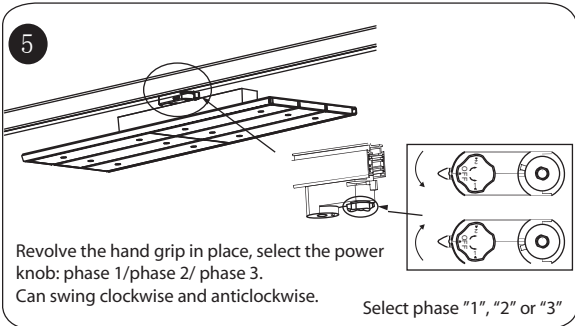
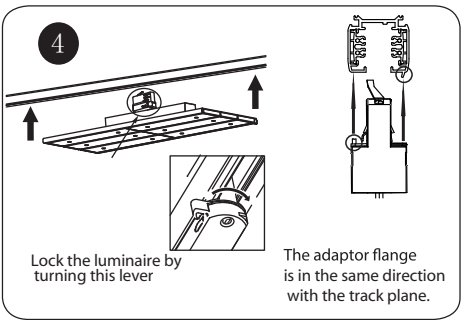
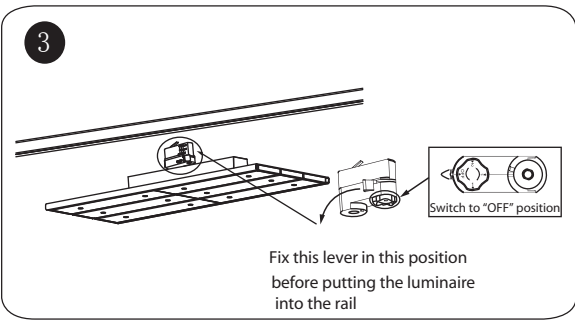
POWERGEAR 3-Circuit Track Adaptor is universal compatible. It will work with the following brand track: STAFF, NORLUX, GLOBAL, NUCO AND NORDIC.

ONE PART ADAPT IT ALL!



Before use, always check dip switch settings

Output Current	1	2	3	Power (W)
340mA	—	—	—	72
320mA	ON	—	—	66
280mA	ON	ON	—	60
240mA	ON	ON	ON	50

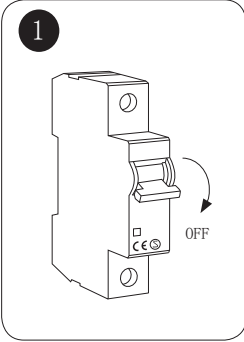
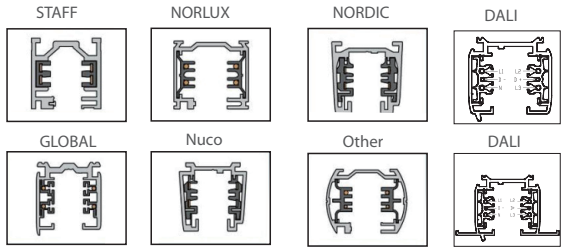
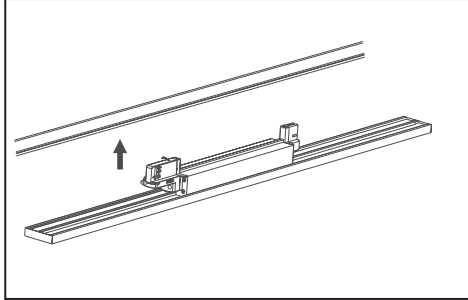


LED Linear Track Light Installation Manual

P02 Track Installation

POWERGEAR 3-Circuit Track Adaptor is universal compatible. It will work with the following brand track: STAFF, NORLUX, GLOBAL, NUCO AND NORDIC.

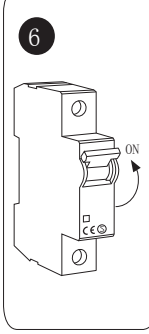
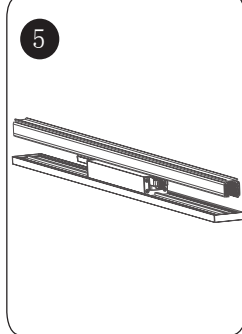
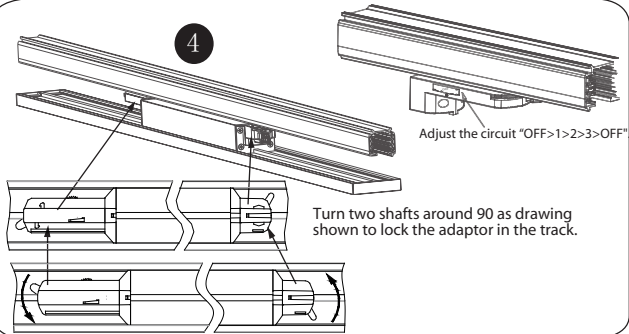
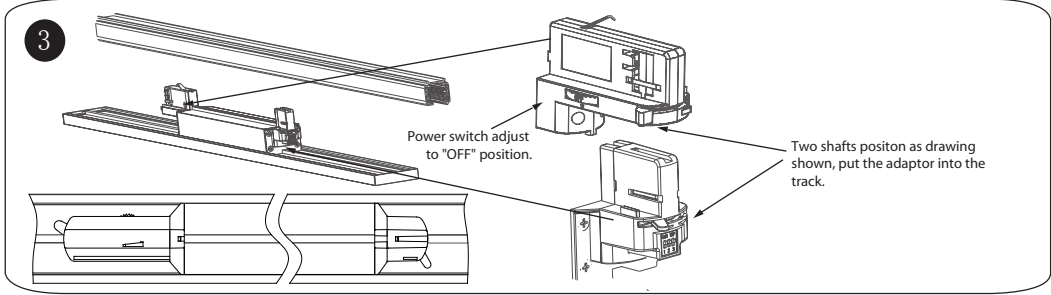
ONE PART ADAPT ALL!



2

Before use, always check dip switch settings

Output Current	1	2	3	Power (W)
350mA	—	—	—	48
325mA	ON	—	—	44
300mA	ON	ON	—	40
250mA	ON	ON	ON	34



IP20



LED

Ra ≥ 80

50000 h



230V



RoHS

